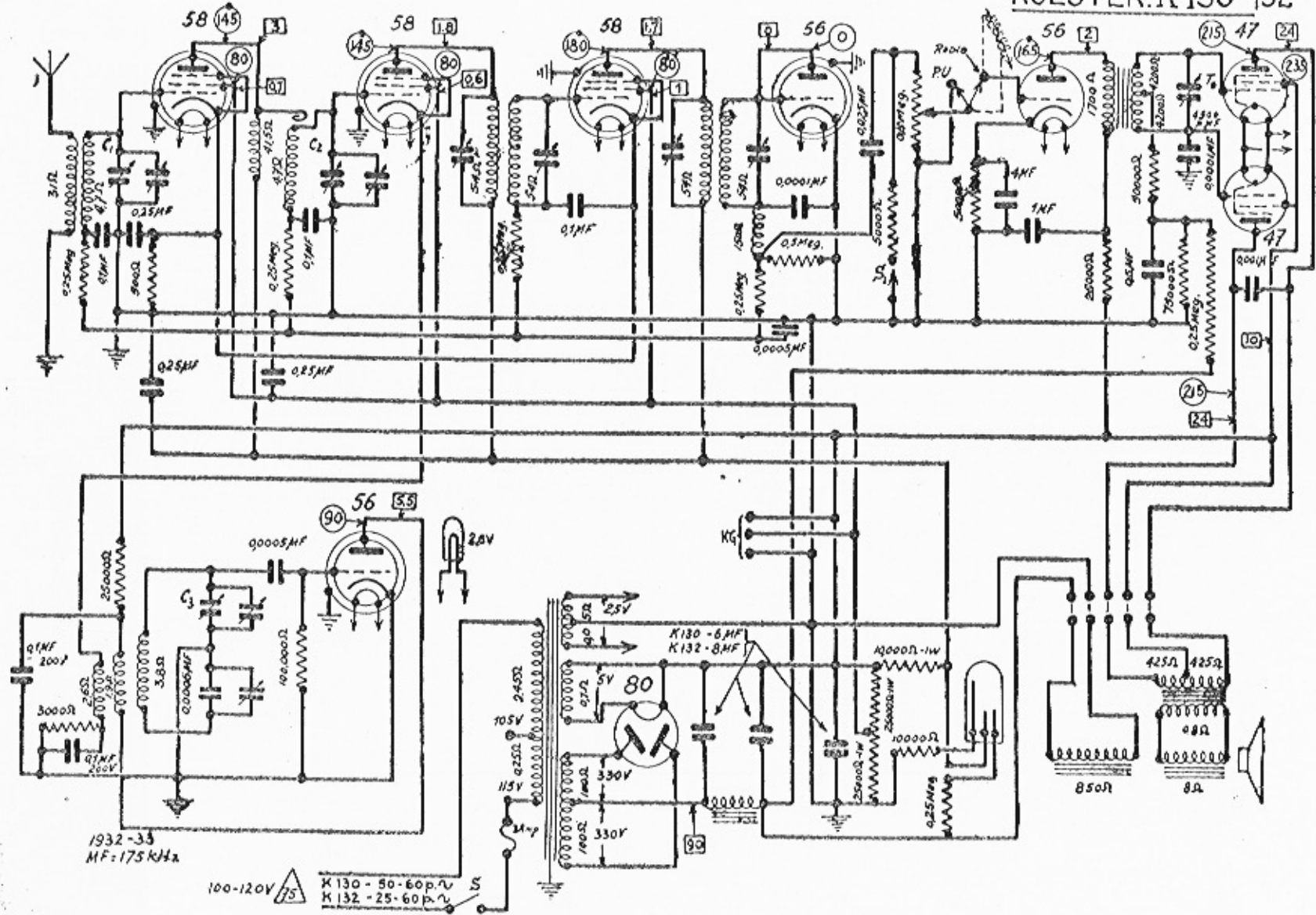


KOLSTER.K130-132



1932-33
MF-175 kHz

100-120V Δ 75

K130 - 50-60 p. v.
K132 - 25-60 p. v.