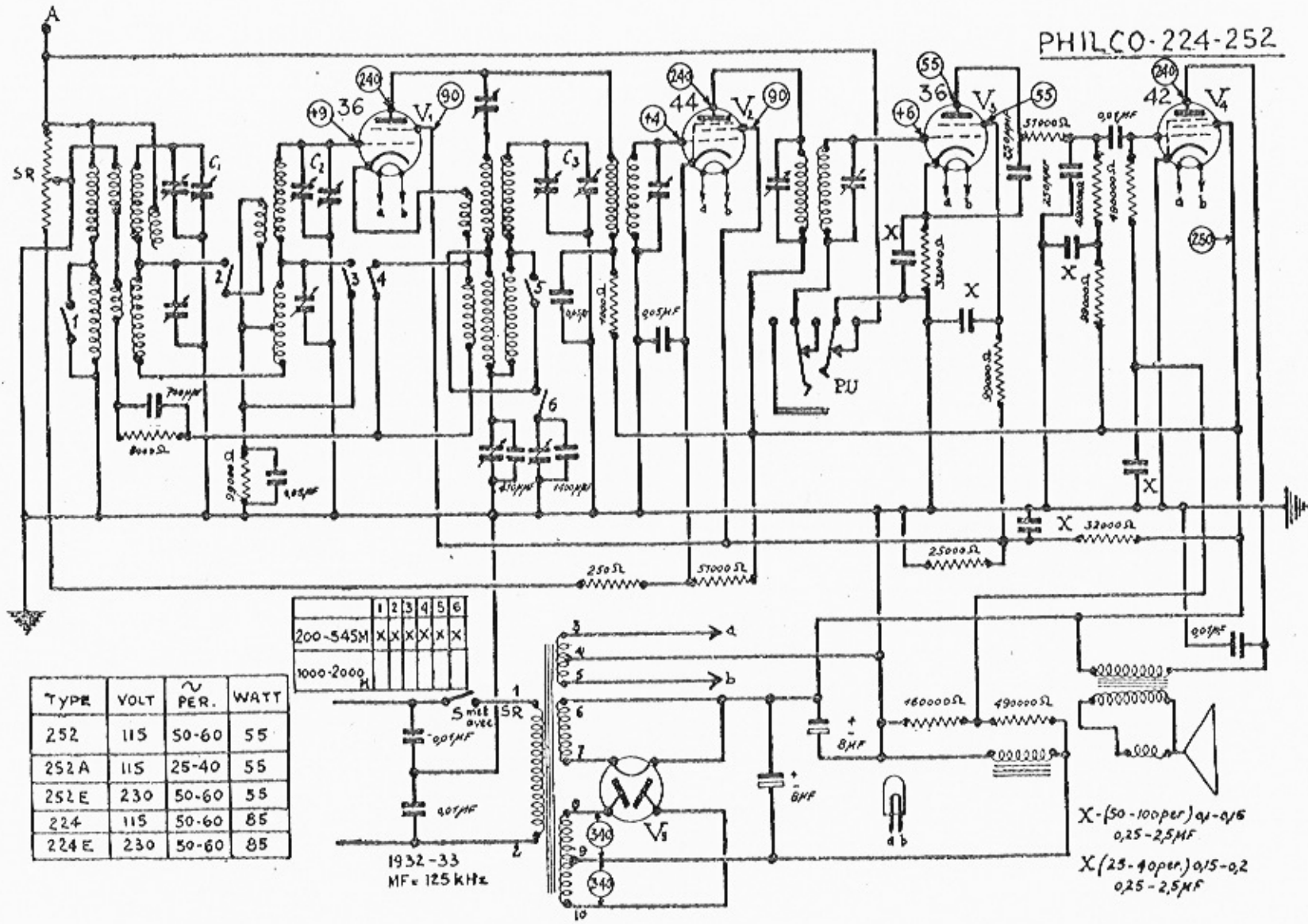
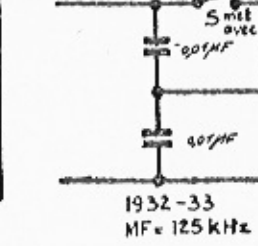


PHILCO-224-252



TYPE	VOLT	PER.	WATT
252	115	50-60	55
252A	115	25-40	55
252E	230	50-60	55
224	115	50-60	85
224E	230	50-60	85

	1	2	3	4	5	6
200-545M	X	X	X	X	X	X
1000-2000 H						



X-(50-100per) 0.15-0.16
0.25-2.5MF
X(25-40per) 0.15-0.2
0.25-2.5MF