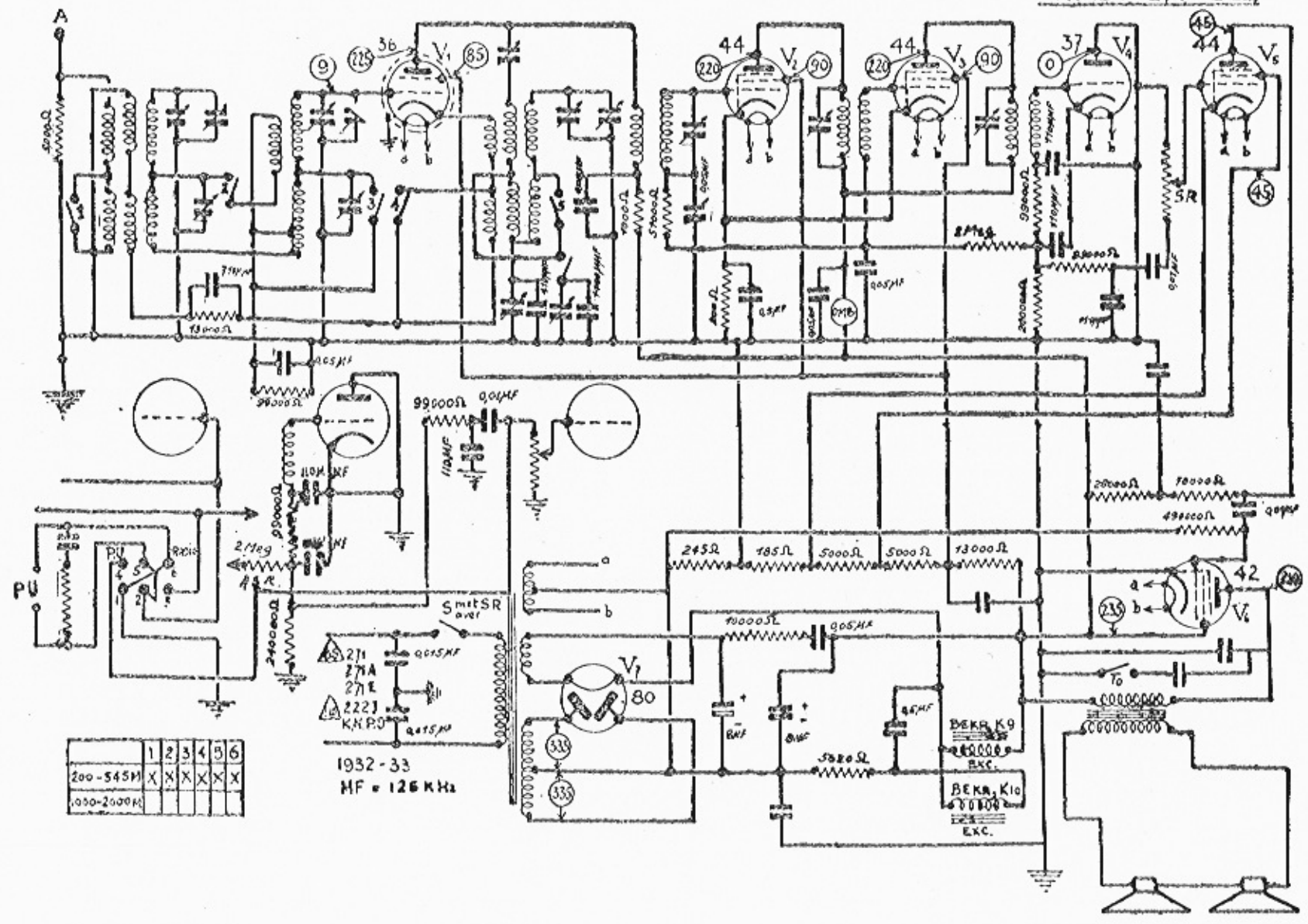


PHILCO-271-222



	1	2	3	4	5	6
200-545M	X	X	X	X	X	X
1000-2000K						

1932-33  
MF = 126 KHz